

ION-115 FILTER REPLACEMENT INSTRUCTIONS

1. Remove the old filter

1. Turn the power off at the ION-115 console and disconnect the console from the air supply.

2. Hold down the filter release button on the side of the console. **See Figure 1.**

3. Remove the hose and filter from the console by pulling the textured rubber plug where the hose emerges from the console. Rocking the plug back and forth can help loosen the filter. Do not pull the hose itself.

4. Remove the filter from the hose fitting by depressing the metal release tab on the fitting and pulling the filter off.

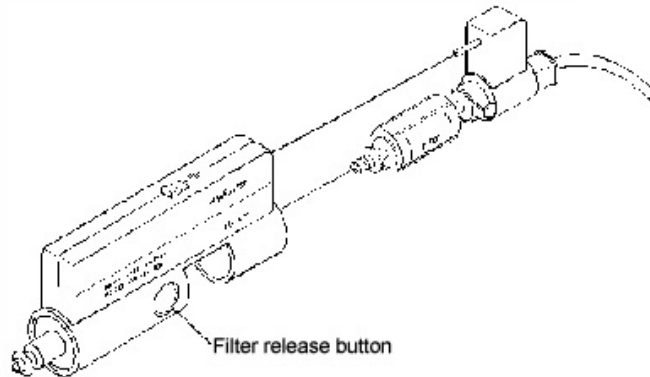


Figure 1. Filter release button.

2. Install the new filter

1. Press the metal filter release tab at the end of the air hose until it locks into place.

2. Insert the large end of the filter into the opening until it is firmly seated.

3. Press the filter release button on the front of the console to lock it down.

4. Push the fitting containing the filter all the way into the opening in the console until it latches with a click. It fits only in the correct orientation.

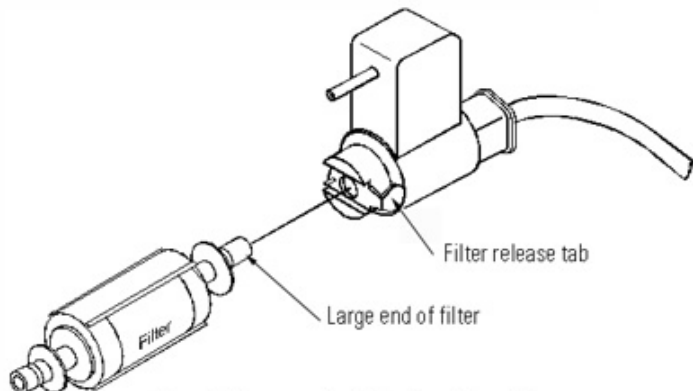


Figure 2. Large end of filter to release tab.

The small plastic fitting on the end of the filter must align with the metal guide coupling in the console. You may have to wiggle the filter slightly while inserting it.