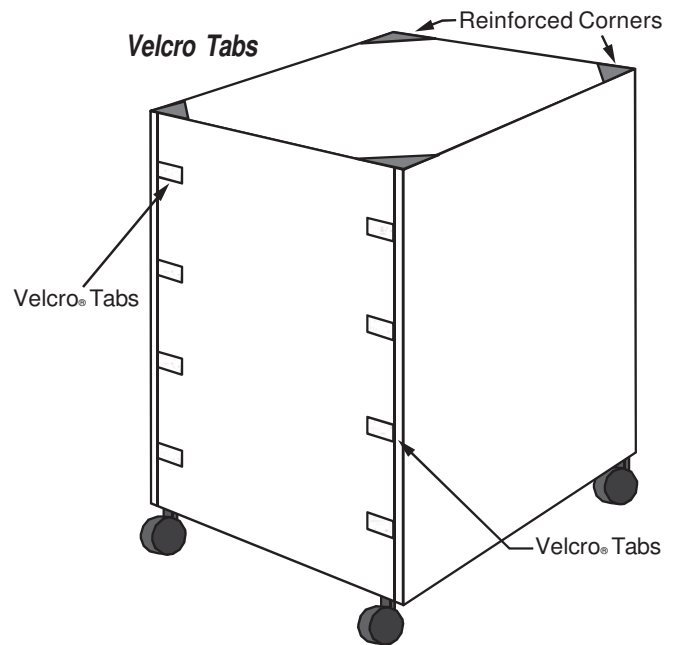
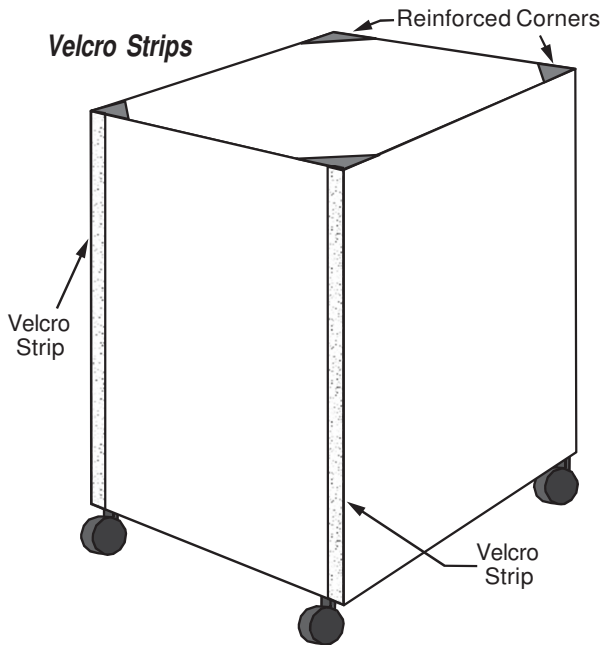
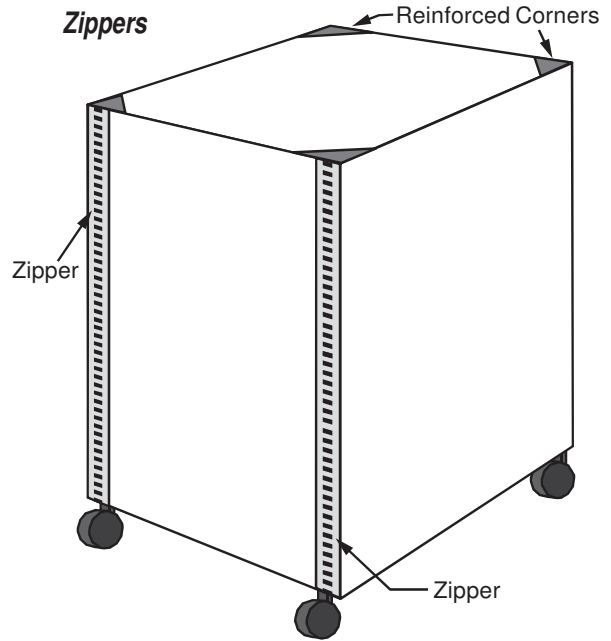
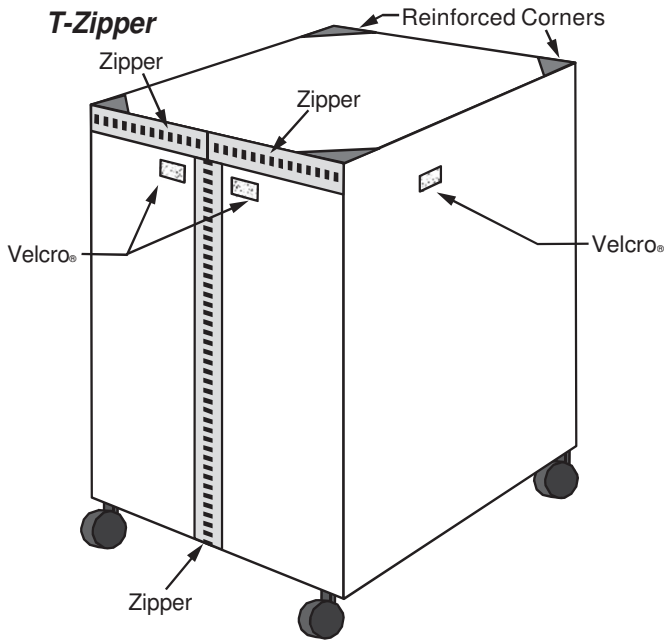


**CART COVER STYLES**



Specify side that flap is on; long or short side.  
Options: Flaps, (front & back), document pocket,  
metal grommets, printing logo/verbiage, ESD symbol.

If you require a style not shown, contact Armand  
Manufacturing. We make cart covers to meet your  
specific requirements.